

High Temperature UV Probe

Gxxx¹⁾-T1xx²⁾C-x³⁾LO2





Features

- High Temperature Environment (under 200°C)
- Very Flexible Optical Fiber (Min. R20)
- UVA Detection
- Optional Output Type (Current / Voltage)
- Optional Operating Voltage (5 V / 9 ~ 24 V)



Information

Part name	Sensor part	Optical Fiber
Image		
Dimension	57 * 37 * 21 mm	Cable : Φ3.0 / Core : 1.4 mm
Material	Al-60 / Black anodizing	SUS 304 casing
Operating Temperature	-30 ~ 85 °C	- 30 ~ 200 °C
Cable Length	Standard : 5 m (the other length optional)	Standard : 1.5 m (the other length optional)
Radius of Curvature	-	Very flexible (Min. R20)
Output type	Voltage or Current	-
Remarks	Includes cable	SMA905 connector / M4 screw

Electro-Optical Characteristics (at 25 °C)

Parameter		Symbol	Min.	Typ.	Max.	Unit	Remark
Supply Voltage		V _{cc}		5		V _{DC}	3
			9		24		3 or I8
Supply Current		I _Q	3.3		4	mA	
Spectral Detection Range	GUVV-T10GC-xLO2	λ	345		395	nm	10 % of R
	GVBL-T12GC-xLO2		345		445		
	GVGR-T10GC-xLO2		345		510		
	GUVS-T10EC-xLO2		400		700		
Output	Voltage	V _{out}	0		5	V	3
	Current	I _{out}	4		20	mA	I8
Detection Power Range		P	0		100	mW/cm ²	* Standard
Response Time		T		10		ms	

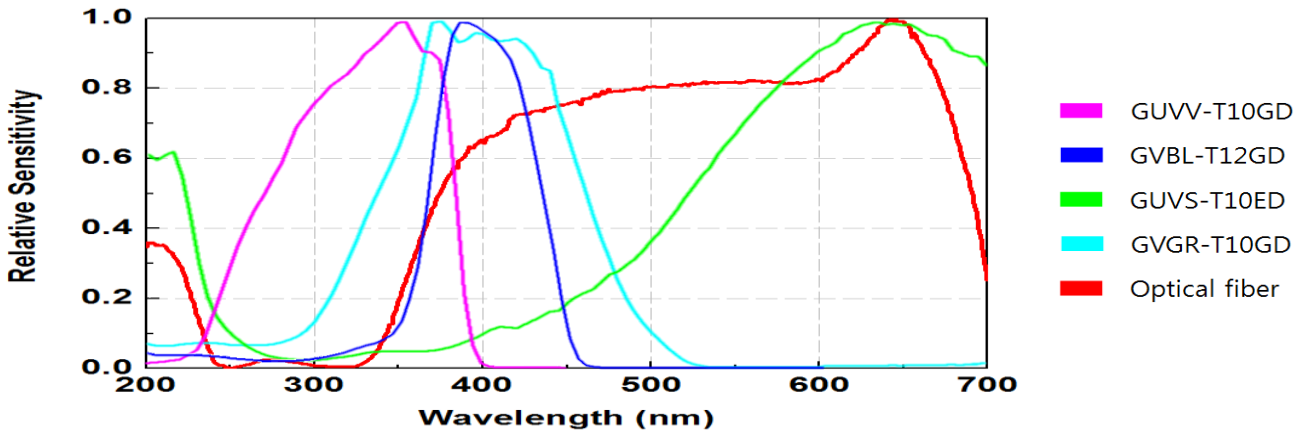
* Order production available (20, 50, 500 mW/cm² etc.)

1) Spectral detection range

2) Serial number of sensor

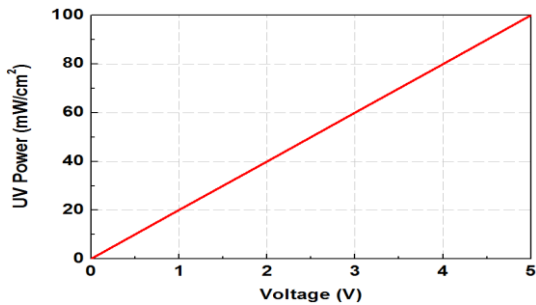
3) Type of output (3 : Voltage, I8 : Current)

Relative Sensitivity along Input Spectrum (Light source : Xe-lamp)



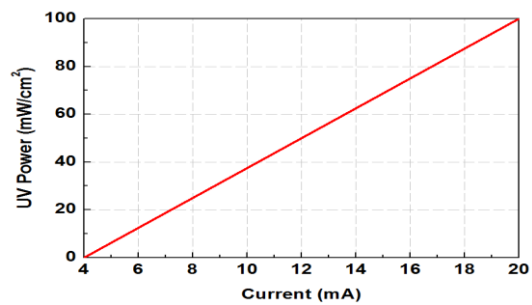
Output along UV Power

- Type Voltage



$$[\text{UV Power (mW/cm}^2\text{)} = \text{Vout (V)} \times 20]$$

- Type Current



$$[\text{UV Power (mW/cm}^2\text{)} = [\text{Iout (mA)} - 4] \times 6.25]$$

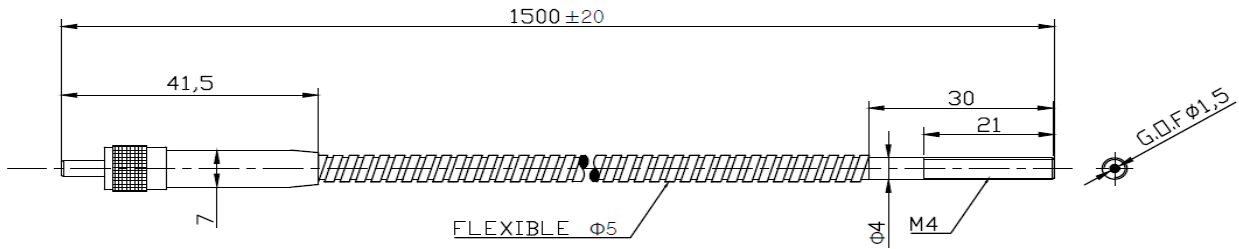
Characteristics of Optical Fiber

Resistant Glass Fiber	
Core diameter	45 μm
Clad diameter	50 μm
NA	0.57
Opening angle	70 °
Operating Temp.	-60 ~ 250 °C (MAX. 300 °C)



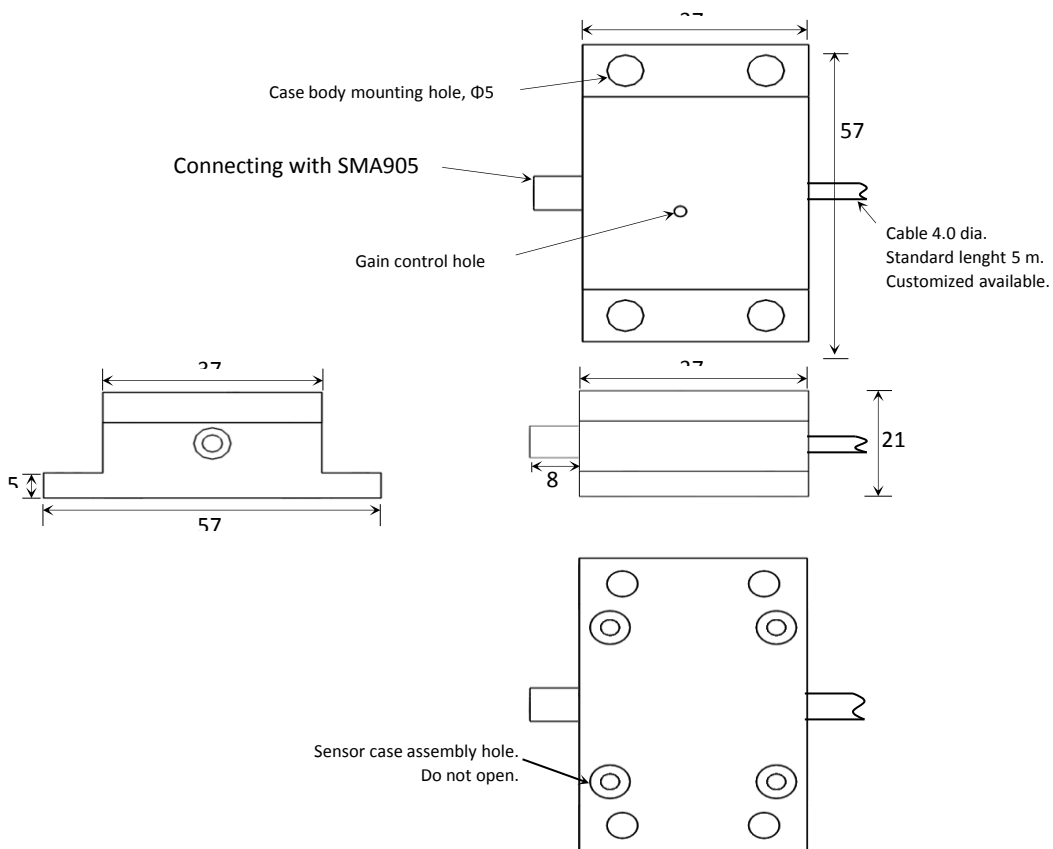
Dimensions (Unit : mm)

- Optical fiber



Material : Stainless steel (SUS304)

- Sensor part



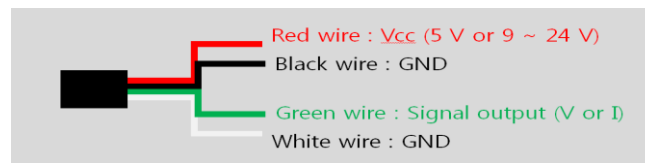
Material : Al-60 (Black anodizing)

Wiring Connections

- To connect the wiring, check the connection terminals. The color-coded terminals are available as follows.

Color	Terminals	Remark
Red	V_{cc}	DC 5 V or 9 ~ 24 V
Black	GND	
Green	V_{out} / I_{out}	DC 0 ~ 5 V or 4 ~ 20 mA
White	GND	

- Black and white lines (GND) are connect to the internal sensor probe.



※ If you connect wrong polarity it will cause the probe damaged or broken.□

Trouble Shooting and precaution

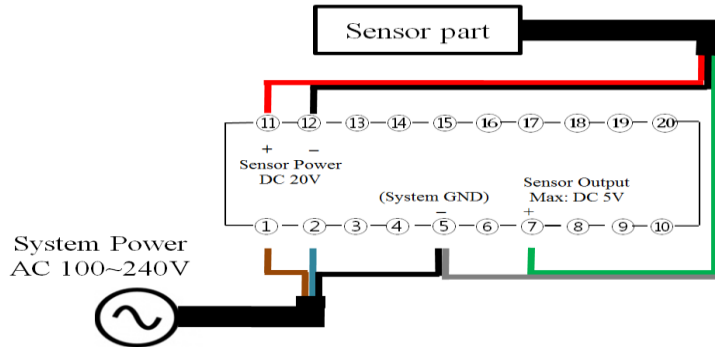
Please make sure that you understand the following before using.

- Do not use these units in locations with flammable or explosive gases.
- Do not use these units in the water.
- Do not attempt to disassemble, repair, or improve these products.
- Do not use AC power supply.
- Be sure that wiring of Sensor part is correct, such as the polarity of the power supply leads.
- Make sure that the power supply voltage is to match with operation voltage.
Operating voltages are two options that 5 V / 9 ~ 24 V.
- Output signal noise will be excessive if the power supply is not grounded.
- UV light is harmful, turn off the UV light source before installing the Head part.
- The analog output value will change due to temperature drift.
- The gain control hole of Sensor part is not protected against UV exposure.
- The SMA905 connector of optical fiber is connect with sensor part, and M4 screw is connect with head part.

Connections with Genicom's Radiometers

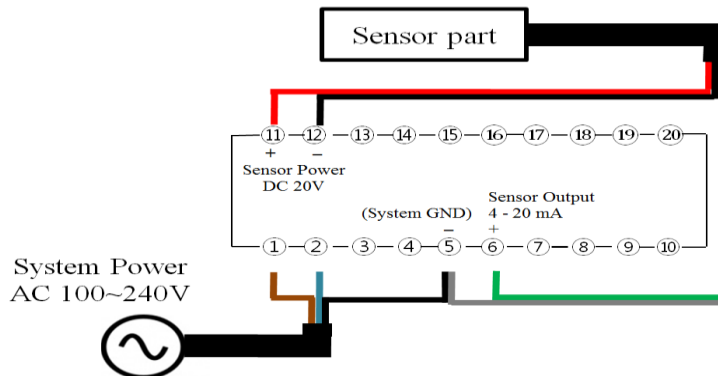
• MG-02 (V_{out})

- Connection AC power to #1 and #2, and connect GND wire #5.
- Connect Red wire to #11 (V_{cc}), Black wire to #12 (GND), White wire to #5 (GND), Green wire to #7 (Vout).



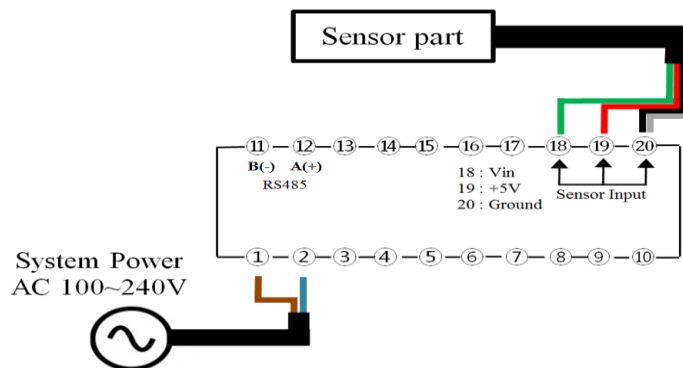
• MG-02 (I_{out})

- Connection AC power to #1 and #2, and connect GND wire #5.
- Connect Red wire to #11 (V_{cc}), Black wire to #12 (GND), White wire to #5 (GND), Green wire to #6 (I_{out}).



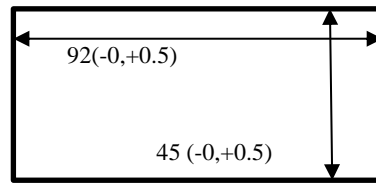
• MG-05/05.1 (V_{out})

- Connection AC power to #1 and #2.
- Connect Green wire to #18 (V_{in}), Red wire to #19 (V_{cc}), Black & White wires to #20 (GND).



Panel Cutting Size

- MG-02, MG-05, MG-05.1 have same panel cutting size.



Panel Cut Out(mm)

A/S Request in Case of Product Failure

- Should any failure is found in product, please call the sales company or customer center for A/S.
- Product warranty period is 1 year from the date of procurement with no charge.
However, failure which is caused by user's misuse or carelessness within warrant period or any failure after the warrant period shall be chargeable for it's A/S.

- Product inquiry and on-line customer service

Tel : +82-42-862-3982, Fax : +82-42-862-2982, ☐

E-mail : uvsensor@geni-uv.com, Website : <http://www.geni-uv.com>